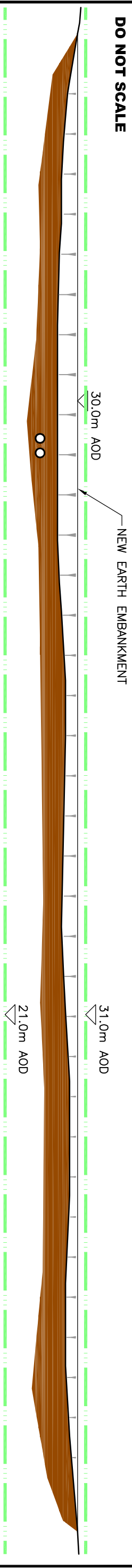
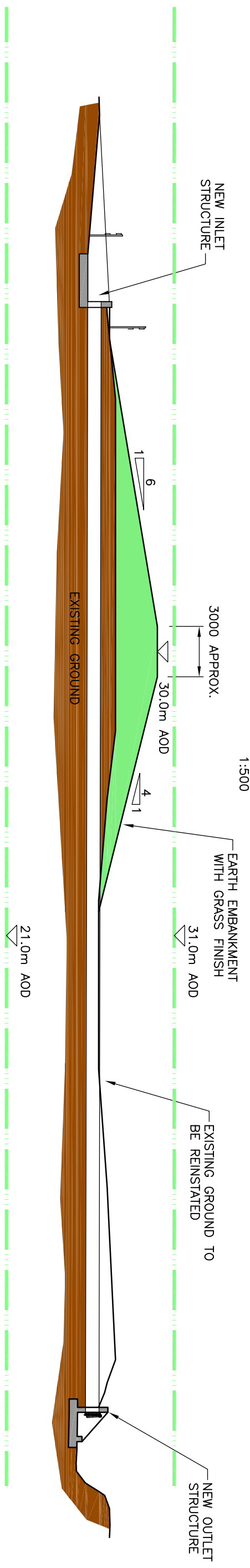


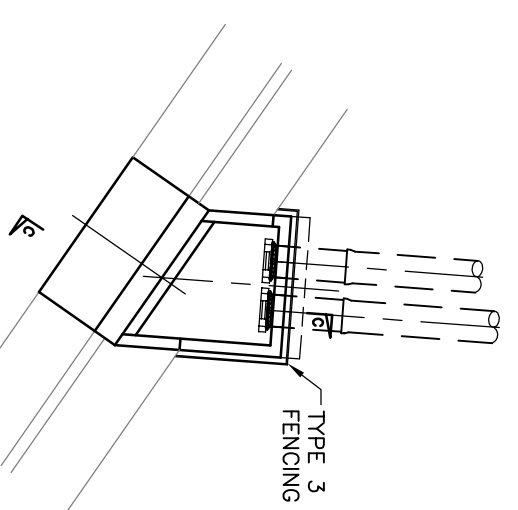
**ALL STATED LEVELS AND DIMENSIONS ARE APPROXIMATE  
DO NOT SCALE**



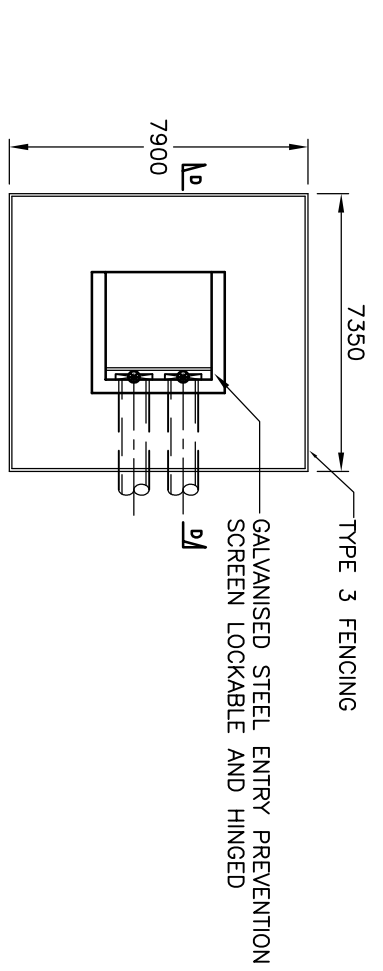
**DEVELOPED SECTION THROUGH EMBANKMENT (B-B)**



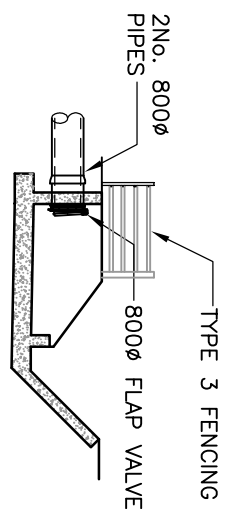
**LONG SECTION THROUGH NEW PIPE (A-A)**



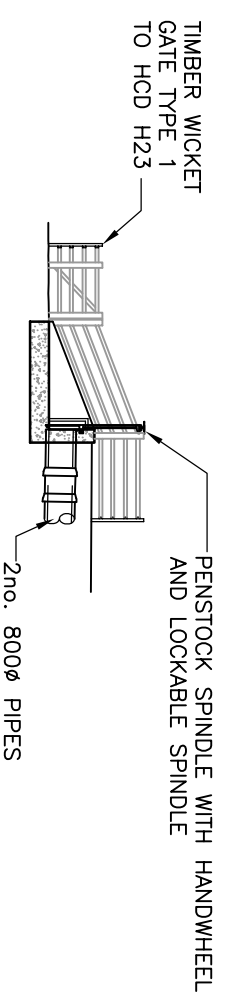
**PLAN ON OUTLET STRUCTURE**



**PLAN ON INLET STRUCTURE**



**SECTION C-C**



**SECTION D-D**

**KEY**  
SEE DRG No. 9P7081/0001 FOR LIMIT OF LAND AFFECTED BY THE OPERATIONS AND OF LAND UPON WHICH ENTRY IS REQUIRED FOR THE PURPOSE OF CARRYING OUT THE OPERATIONS AND OF EXECUTING TEMPORARY WORKS  
--- LIMIT OF LATERAL DEVIATION  
--- LIMIT OF VERTICAL DEVIATION

THIS IS THE PLAN MARKED 9P7081/0061 REFERRED TO IN THE CONFIRMED FORRES (BURN OF MOSSET) FLOOD PREVENTION SCHEME 2005

SIGNATURE.....  
HEAD OF CLIMATE CHANGE AND AIR DIVISION, SCOTTISH EXECUTIVE ENVIRONMENT AND RURAL AFFAIRS DEPARTMENT AT EDINBURGH

DATE.....

TITLE		PROJECT		HASKONING UK LTD	
CHAPELTON SPRINGS DETAILS		FORRES (BURN OF MOSSET) FLOOD PREVENTION SCHEME 2005		COASTAL AND RIVERS DIVISION	
		moray flood alleviation		HASKONING UK LTD Regional Division Pentworthrigg FES BOW 441 017133 33425 www.royal-haskoning.com	
		ROYAL HASKONING		Telephone Email Internet	
Job No.	9P7081	DATE	FEB'07	SCALE AT A3	AS SHOWN
ACAD Ref.	0061.dwg	CHECKED TE		PASSED PW	
DRAWN	RTL	DRG No.	9P7081/0061	REV	A

©Haskoning UK Ltd.